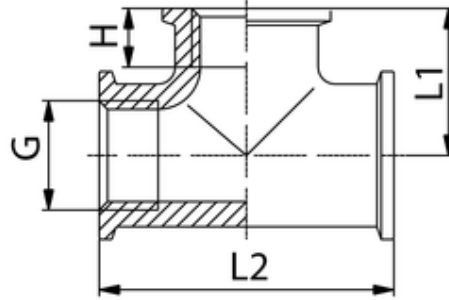


T-Stück - blank

T-Stück - blank
Female t - uncoated
T- F.F.F., giallo



| ITV | G | H | L1 | L2 |
|--------|------|----|------|----|
| 401615 | G1/2 | 13 | 25,5 | 51 |

| | |
|----------------------------|--|
| Betriebstemperatur: | max. 150°C |
| Betriebsdruck: | bis 60bar |
| Werkstoff: | Messing vernickelt/ blank CW614N und CW617N |
| Gewinde: | zyl. Gewinde DIN 3852 kon. Gewinde DIN 3858 |
| Medium: | Luft, Wasser, Öl, Dampf, etc. |

| | |
|-------------------------------|---|
| Operating temperature: | max. 150°C |
| Operating pressure: | up to 60bar |
| Material: | brass nickel-plated/ polished CW614N and CW617N |
| Thread: | cyl. thread DIN 3852 con. thread DIN 3858 |
| Medium: | Air, water, oil, steam, etc. |