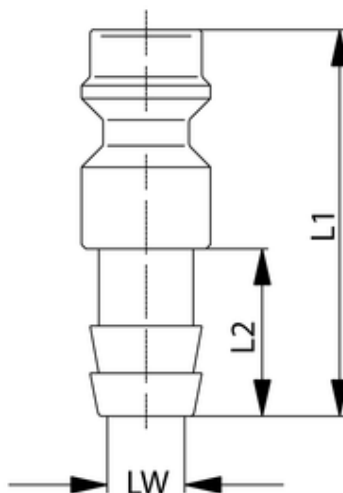


Stecknippel vernickelt

mit Schlauchtülle

Coupling with adaptor nickel plated

Innesto rapido con portagomma



| ITV | DN | LW | L1 | L2 |
|-----------|----|----|----|----|
| 430245-VN | 5 | 9 | 32 | 17 |

| | |
|---------------------------|------------------------|
| Körper: | Messing |
| Body: | brass |
| Corpo: | ottone |
| Betriebstemperatur: | -20 °C bis +100 °C |
| Working temperature: | -20 °C to +100 °C |
| Temperatura di esercizio: | da -20 °C a +100 °C |
| Betriebsdruck: | max. 35 bar |
| Working pressure: | max. 35 bar |
| Pressione di esercizio: | max. 35 bar |
| Medium: | Druckluft, Wasser. |
| Medium: | compressed air, water. |
| Fluido: | Aria compressa, acqua. |